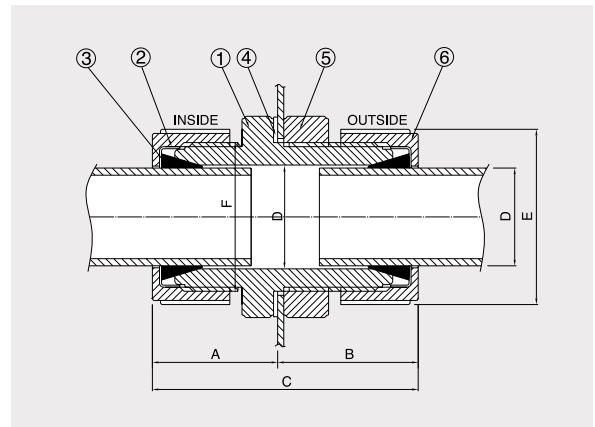


CONNECTOR

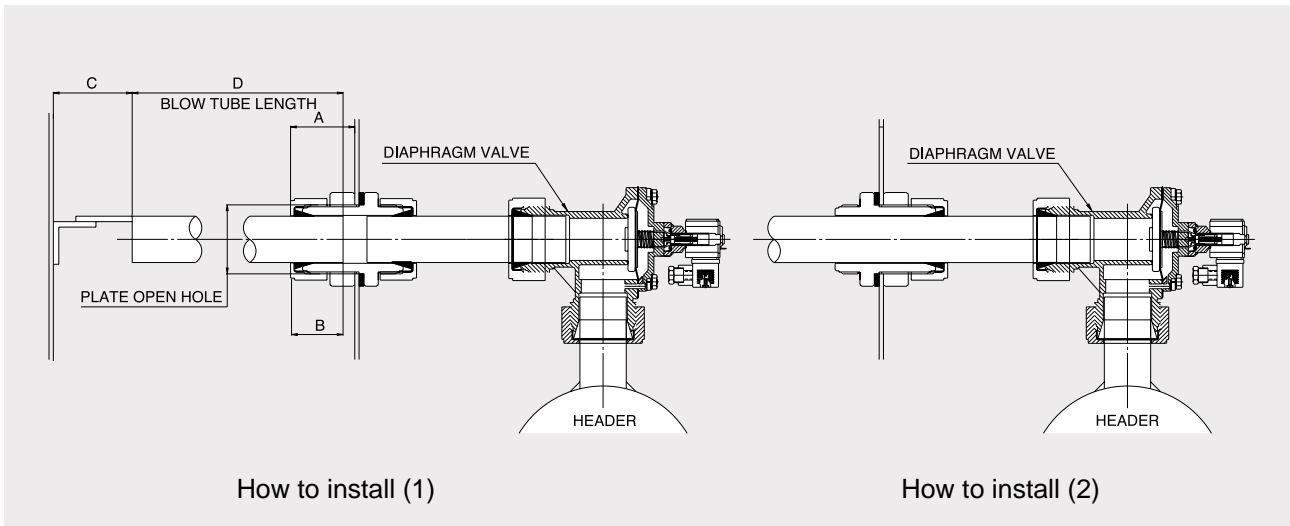
ALUMINUM DIE-CASTING



■ DIMENSIONS(mm)

MODEL	PIPE SIZE	A	B	C	D OUT DIA	E	F	WEIGHT (kg)	PLATE OPEN HOLE SIZE
JICN 20	3/4"	47	49	96	ø28.5	56	ø40.6	0.4	ø45
JICN 25	1"	55	58	113	ø36	69	ø52.7	0.75	ø58
JICN 40	1 1/2"	61	71	132	ø50	92	ø68.6	1.35	ø74
JICN 50	2"	73	78.5	151.5	ø61.5	115	ø88	2.2	ø94

NO	PART OF NAME
1	BODY
2	GUIDE RING
3	COUPLING PACKING
4	CONNECTOR PACKING
5	CONNECTOR NUT
6	COUPLING NUT



■ DIMENSIONS(mm)

MODEL	A	B	C	Tolerance
JICN 20	42	35	45	(±5)
JICN 25	50	40	50	(±5)
JICN 40	56	45	55	(±5)
JICN 50	62	50	60	(±5)